

SECTION 2

LIST 3

**“WESTINGHOUSE”**



REGISTERED

**“C.R.4”**

**Air Compressor Governor**

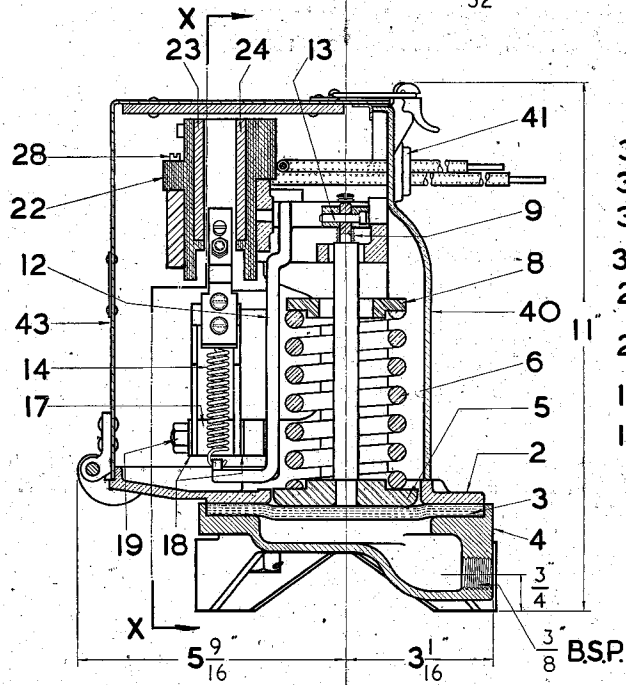
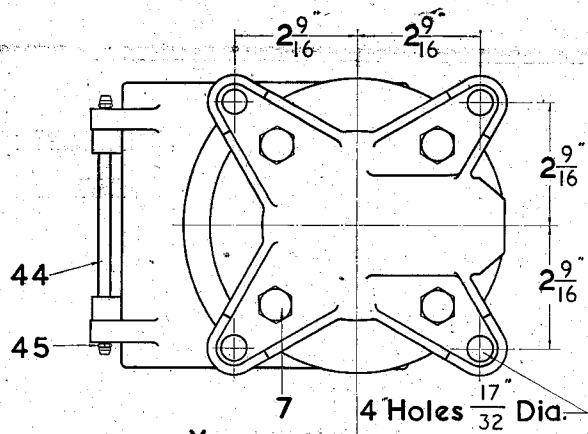
**WESTINGHOUSE BRAKE (AUSTRALASIA) PTY. LTD.**

HEAD OFFICE AND WORKS:

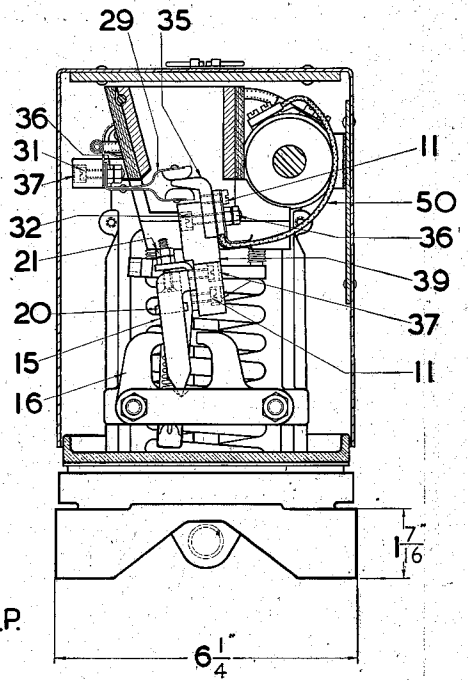
**CONCORD WEST, N.S.W.**

Postal Address: P.O. Box 21, Burwood, New South Wales

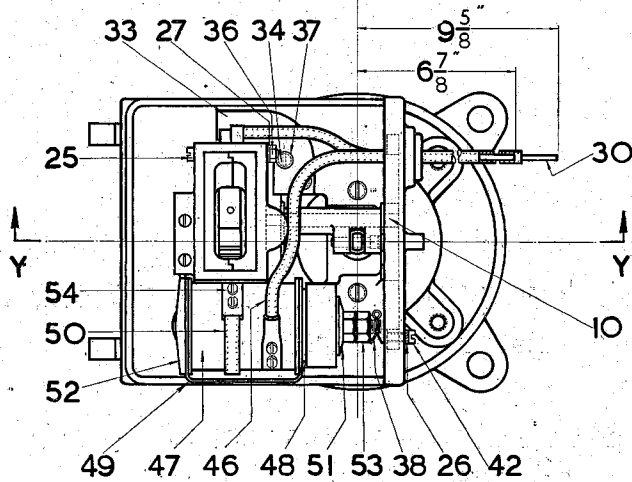
1949.



SECTION YY



SECTION XX



PLAN VIEW  
(WITH COVER REMOVED)

## CR-4 GOVERNOR

Piece No. C3170 Governor Complete (Cast Iron Base)

Weight 28 lbs.

C3266 Governor Complete (Aluminium Base)

Weight 24½ lbs.

Pc. No.	Ref. No.	Description.
C3171	2	Body Studded (includes two of 19)
C3601	3	Diaphragm
C3179	4	Base (Cast Iron)
C3267	4	Base (Aluminium)
C3181	5	Piston and Rod Complete
C3184	6	Piston Spring
C3552	7	$\frac{3}{8}$ " B.S.W. Setscrew (four required)
C3185	8	Spring Plate
C3186	9	Headless Setscrew (two required)
C3190	10	Pin
C1798	11	$\frac{3}{8}$ " B.S.W. Cheese Head Screw (three required)
C3187	12	Lever Complete
C3191	13	Pin for Lever
C3195	14	Toggle Spring
C3199	15	Link
C3193	16	Bracket (two required)
C3194	17	Spacer (two required)
C3192	18	Guide Plate (two required)
C3019	19	$\frac{5}{8}$ " B.S.W. Stud and Nut (two required)
C3200	20	Adjusting Block Complete (includes two of 21)
C3210	21	$\frac{3}{8}$ " B.S.W. Nut (two required)
C3221		Arc Chute Complete (includes 22, 23, 24, 25, 27 and 36)
C3222	22	Arc Chute Body
C3224	23	Arc Chute Lining (marked L)
C3225	24	Arc Chute Lining (marked R)
C3226	25	$\frac{3}{8}$ " B.S.W. Cheese Head Screw
C718	26	$\frac{3}{8}$ " Lockwasher (four required)
C3227	27	$\frac{3}{8}$ " Washer
C3220	28	3 B.A. Cheese Head Screw (two required)
C3207	29	Stationary Contact Complete
C3214	30	Stationary Contact Cable
C3218	31	$\frac{3}{8}$ " B.S.W. Cheese Head Screw
C3205	32	$\frac{3}{8}$ " B.S.W. Cheese Head Screw
C3217	33	Insulation Bracket
C3219	34	$\frac{3}{8}$ " B.S.W. Cheese Head Screw (two required)
C3196		Moveable Contact Complete (includes three of 11, 15, 20, 32, 35, two of 36, three of 37 and 39)
C3197	35	Moveable Contact
C3203	36	$\frac{3}{8}$ " B.S.W. Nut (five required)
C3206	37	Rubber Plug (six required)
C1868	38	$\frac{3}{32}$ " dia. Split Pin
C3198	39	Insulation Block
C3240		Rear Cover Complete (includes 40 and 41)
C3241	40	Rear Cover
C3311	41	Bushing for Cable
C3242	42	$\frac{3}{8}$ " B.S.W. Cheese Head Screw (four required)
C3243	43	Front Cover Complete
C3251	44	Hinge Pin
C3252	45	$\frac{3}{32}$ " dia. Split Pin (two required)
C3294	46	Blow Out Coil Cable
C3239	47	Blow Out Coil Complete
C4074	48	Insulating Washer
C3975	49	Guard for Blow Out Coil
C3232	50	Moveable Contact Cable
C3370	51	Spring Washer
C3228	52	Blow Out Coil Support Complete
C155	53	$\frac{5}{8}$ " B.S.W. Nut (two required)
C3238	54	3 B.A. Cheese Head Screw (four required)

Orders should state **PIECE NUMBER** and **NAME** of Part.